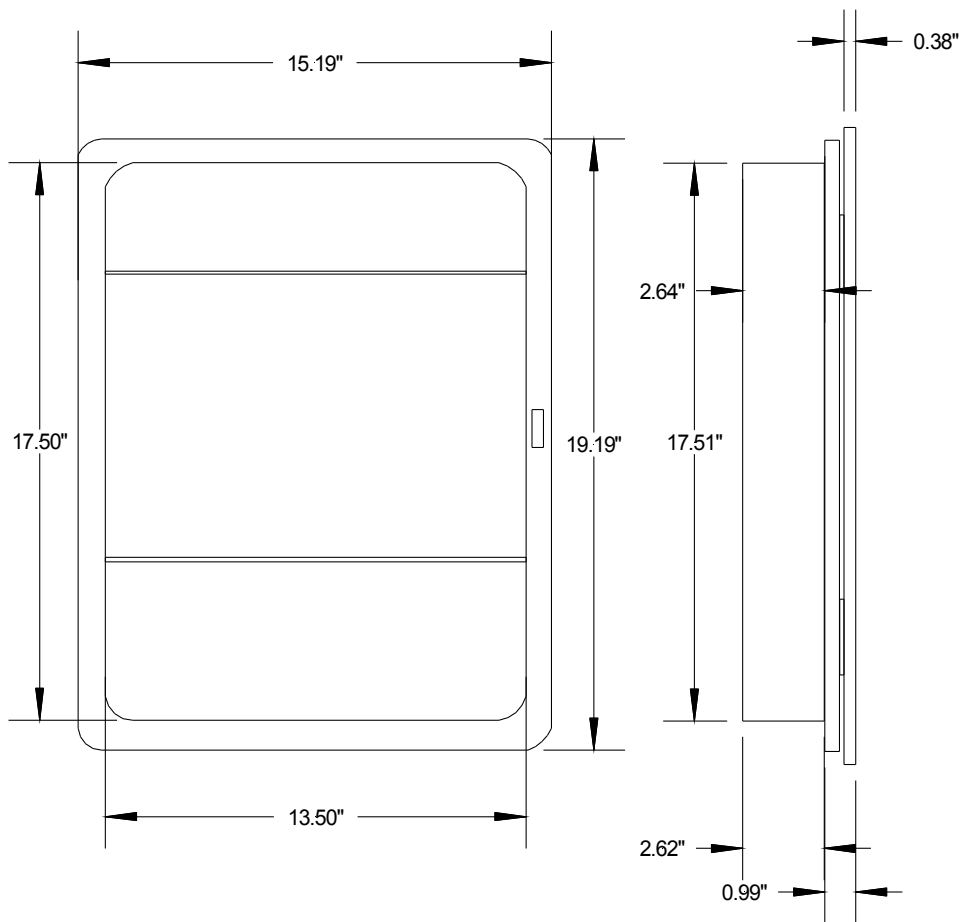




**Model # X311 Medicine Cabinet**

<b>MIRROR:</b>	16" x 20" Single Strength (.09375) CCE
<b>OVERALL SIZE:</b>	16 1/8" x 20 1/8" x 3-5/8"
<b>ROUGH OPENING:</b>	14" x 18"(Actual cabinet size 13-1/2" x 17-1/2")
<b>INSIDE DEPTH:</b>	3"
<b>SHELVES:</b>	2 fixed, injection molded polystyrene
<b>DOOR FILLER:</b>	Corrugated Pad
<b>HINGE:</b>	2 zinc plated split butt 2" hinges
<b>DOOR BACKING:</b>	Paperboard
<b>DOOR OPERATION:</b>	One taped one stainless steel striker plate and magnetic catch closure mechanism
<b>FRAME MATERIAL:</b>	16.125 x 20.125 .018 Thickness Type 430 Stainless Steel Miter by Flip over Tab Frame Coated with Protective Flexible PVC Film
<b>REVERSIBLE:</b>	Yes
<b>CABINET:</b>	Injection Molded in White no holes drilled for recessed installation Typical Wall Thickness .085 Material: Polypropylene



subject to change without notice